

Swivel clamp connectors

Aluminium

SPECIFICATION

Identification No.

No. **2**: with Stainless Steel-Clamping screw DIN 912

Aluminium

plastic coated

black RAL 9005, textured finish **SW**

blank **BL**

matt shot-blasted

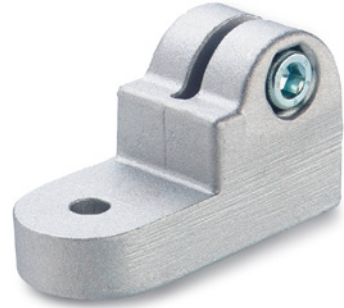
Clamping bore mechanically machined

Socket cap screws DIN 912

Stainless Steel AISI 304

Hexagon nuts DIN 985

Stainless Steel AISI 304



INFORMATION

The clamping bore of GN 275 swivel clamp connectors is mechanically machined and designed for construction tubes GN 990 (see page 1902) or DIN 2391, DIN 2395 and DIN 2462 respectively.

The standard version of the clamping screw is a socket cap screw with hexagonal socket DIN 912. It can be replaced by a clamping kit GN 911 (see page 1874) (article code see table of dimensions).

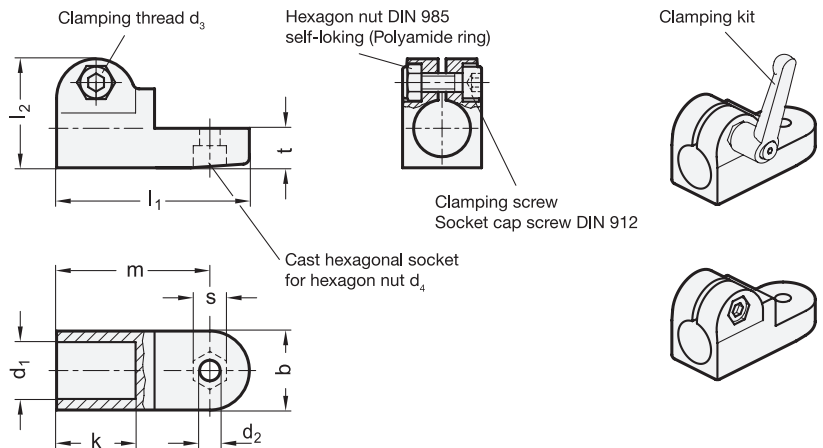
GN 275 swivel clamp connectors can be assembled with swivel clamp connectors GN 271 (see page 1847), GN 273 (see page 1849) or GN 277 (see page 1855) to create swivel clamp connector joints.

ACCESSORY

- Clamping kits GN 911 (see page 1874)

TECHNICAL INFORMATION

- Stainless Steel characteristics (see page A26)



GN 275

Description	d1	b	d2	d3	d4	k	l1	l2	m	s	t	Clamping kits for d3	⚖
GN 275-B12-2-BL	B 12	25	6.5	M 6	M 6	25	61	34.5	48.5	10	12.5	GN 911-M6-22	74
GN 275-B12-2-SW	B 12	25	6.5	M 6	M 6	25	61	34.5	48.5	10	12.5	GN 911-M6-22	74
GN 275-B14-2-BL	B 14	25	6.5	M 6	M 6	25	61	34.5	48.5	10	12.5	GN 911-M6-22	70
GN 275-B14-2-SW	B 14	25	6.5	M 6	M 6	25	61	34.5	48.5	10	12.5	GN 911-M6-22	70
GN 275-B16-2-BL	B 16	25	6.5	M 6	M 6	25	61	34.5	48.5	10	12.5	GN 911-M6-22	68
GN 275-B16-2-SW	B 16	25	6.5	M 6	M 6	25	61	34.5	48.5	10	12.5	GN 911-M6-22	68
GN 275-B18-2-BL	B 18	25	6.5	M 6	M 6	25	61	34.5	48.5	10	12.5	GN 911-M6-22	64
GN 275-B18-2-SW	B 18	25	6.5	M 6	M 6	25	61	34.5	48.5	10	12.5	GN 911-M6-22	65