

## Adhesive discs

self-adhesive, for retaining magnets

### SPECIFICATION

Steel

- zinc plated, blue passivated **ZB**
- zinc plated, blue passivated, white laquered **WS**

Adhesive pad

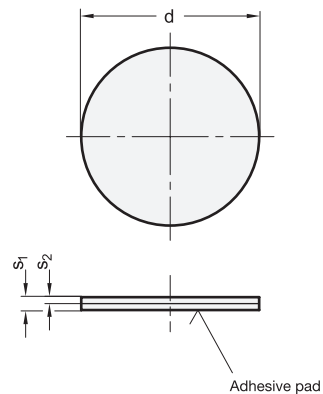
Scotch-Mount™ 4032

- doubled-sided
- with polyurethane foam backing

### INFORMATION

Adhesive discs GN 70.1 are used as counter piece for retaining magnets if a magnet is to be used on a non-magnetic surface, for instance.

After pulling off the protective film from the adhesive pad at the back, they can be attached to any suitable and clean surfaces.



### GN 70.1

Description	d	s1	s2	⚖
GN 70.1-20-ZB	20	2	1	3
GN 70.1-20-WS	20	2	1	3
GN 70.1-30-ZB	30	2	1	6
GN 70.1-30-WS	30	2	1	6
GN 70.1-40-ZB	40	2	1	10
GN 70.1-40-WS	40	2	1	10
GN 70.1-60-ZB	60	2.5	1.5	35
GN 70.1-60-WS	60	2.5	1.5	35

