

## Oil level sight glasses

Brass / natural glass, up to 100°C

### SPECIFICATION

#### Types

- Type **A**: with contrast screen
- Type **B**: without contrast screen

Body

Brass

CuZn40Pb2

Contrast screen

Technopolymer (Polysulfon)

- temperature resistant up to **100 °C**

- Sight glass Float-glass

- Sealing ring rubber NBR (Perbunan)



### INFORMATION

Oil level sight glasses GN 743.2 offer genuine glass of high stability and scratch proof. The sealing is achieved with an O-ring on the **periphery** and not on the face edge of the glass. Leak tightness is therefore not affected by axial pressures.

The outside diameter of these oil level sight glasses with recessed hexagon is chosen to match mounting holes for tube connections according to DIN 3852.

The seal is housed in a groove and it can therefore not be lost. In addition, this groove prevents the seal from being extruded when the sight glass is tightened.

Oil level sight glasses GN 743.2 can be used on pressurised oil tanks.

Tests regarding maximum pressure are available on request.

#### Assembly instruction:

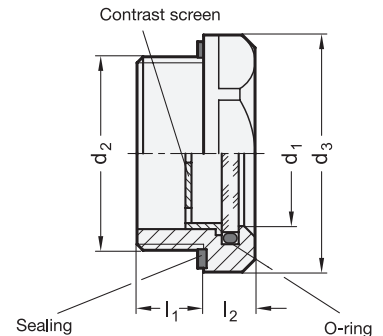
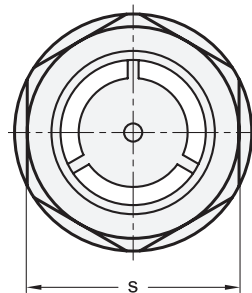
For mounting on walls of less than 4 mm thickness please use a fixing nut GH. (see page 1743).

### ACCESSORY

- Fixing nut GH. (see page 1743)

### ON REQUEST

- EPDM seal



\* Complete with type index of the Oil level sight glasses

**A**

with contrast screen

**B**

without contrast screen

### GN 743.2

Description	d1	d2	d3	l1	l2	s	⚖️
GN 743.2-11-M16x1,5-*	11	M 16 x 1.5	22	8	7.5	20	19
GN 743.2-14-M20x1,5-*	14	M 20 x 1.5	26	8.5	7.5	23	23
GN 743.2-18-M26x1,5-*	18	M 26 x 1.5	32	9	8	30	44
GN 743.2-18-M27x1,5-*	18	M 27 x 1.5	32	9	8	30	46
GN 743.2-24-M33x1,5-*	24	M 33 x 1.5	40	11	8.5	36	70
GN 743.2-11-G3/8-*	11	G 3/8	22	8	7.5	20	20
GN 743.2-14-G1/2-*	14	G 1/2	26	8.5	7.5	23	23
GN 743.2-18-G3/4-*	18	G 3/4	32	9	8	30	44
GN 743.2-24-G1-*	24	G 1	40	11	8.5	36	69

Weight type A