

Oil level sight glasses

Aluminium / crystal-clear plastic

SPECIFICATION

Types

- Type **A**: with prismatic effect (only $d_1 = 14/18/24$)
- Type **B**: without contrast screen (all sizes)
- Type **C**: with red marking ring (only $d_1 = 11/14/18/24$)

Body

Aluminium
fine turned

Sight glass
Plastic

- crystal-clear Polyimide (PA-T)
- temperature resistant up to 110 °C

Red marking ring
pad printing

Sealing ring
Rubber NBR (Perbunan)



INFORMATION

Oil level sight glasses GN 744 use the so called prismatic effect of a cat's eye to display the oil level unaffected by oil colour or oil viscosity. The advantage of this effect is particularly obvious in the case of under or overfilling or for inspection under unfavourable light conditions.

The seal is housed in a radial groove in the aluminium body and hence cannot be lost. In addition it cannot be extruded when tightening the sight glass.

Oil level sight glasses GN 744 can also be used on pressurised tanks. Data of pressure and vacuum pressure tests is available.

Assembly instruction:

For mounting on walls of less than 4 mm thickness please use a fixing nut GH. (see page 1743)

ACCESSORY

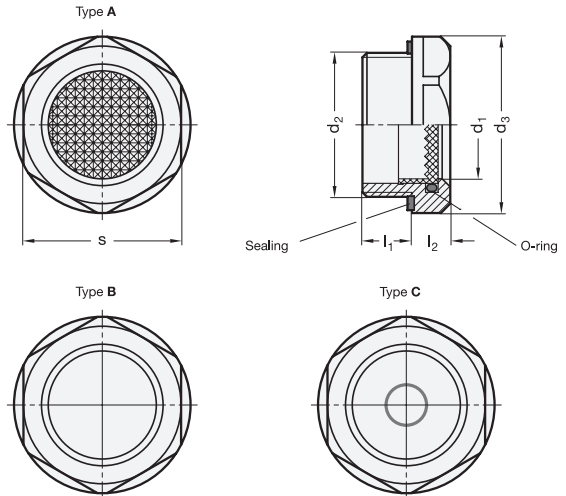
- Fixing nut GH. (see page 1743)

ON REQUEST

- EPDM seal

TECHNICAL INFORMATION

- Elastomer characteristics (see page A32)
- Plastic characteristics (see page A2)



GN 744

Description	d1	d2	d3	l1	l2	s	
GN 744-14-G1/2-A	14	G 1/2	26	8.5	7.5	23	12
GN 744-14-M20x1.5-A	14	M 20 x 1.5	26	8.5	7.5	23	5
GN 744-18-G3/4-A	18	G 3/4	32	9	8	30	15
GN 744-18-M26x1.5-A	18	M 26 x 1.5	32	9	8	30	15
GN 744-18-M27x1.5-A	18	M 27 x 1.5	32	9	8	30	16
GN 744-24-G1-A	24	G 1	40	11	8.5	36	23
GN 744-24-M33x1.5-A	24	M 33 x 1.5	40	11	8.5	36	30
GN 744-7-G1/4-B	7	G 1/4	20	7.5	6.5	18	5
GN 744-7-M12x1.5-B	7	M 12 x 1.5	20	7.5	6.5	18	5
GN 744-11-G3/8-B	11	G 3/8	22	8	7.5	20	6
GN 744-11-M16x1.5-B	11	M 16 x 1.5	22	8	7.5	20	6
GN 744-14-G1/2-B	14	G 1/2	26	8.5	7.5	23	8
GN 744-14-M20x1.5-B	14	M 20 x 1.5	26	8.5	7.5	23	8
GN 744-18-G3/4-B	18	G 3/4	32	9	8	30	15

GN 744

Description	d1	d2	d3	l1	l2	s	
GN 744-18-M26x1.5-B	18	M 26 x 1.5	32	9	8	30	14
GN 744-18-M27x1.5-B	18	M 27 x 1.5	32	9	8	30	16
GN 744-24-G1-B	24	G 1	40	11	8.5	36	22
GN 744-24-M33x1.5-B	24	M 33 x 1.5	40	11	8.5	36	23
GN 744-11-G3/8-C	11	G 3/8	22	8	7.5	20	6
GN 744-11-M16x1.5-C	11	M 16 x 1.5	22	8	7.5	20	6
GN 744-14-G1/2-C	14	G 1/2	26	8.5	7.5	23	8
GN 744-14-M20x1.5-C	14	M 20 x 1.5	26	8.5	7.5	23	8
GN 744-18-G3/4-C	18	G 3/4	32	9	8	30	15
GN 744-18-M26x1.5-C	18	M 26 x 1.5	32	9	8	30	14
GN 744-18-M27x1.5-C	18	M 27 x 1.5	32	9	8	30	16
GN 744-24-G1-C	24	G 1	40	11	8.5	36	22
GN 744-24-M33x1.5-C	24	M 33 x 1.5	40	11	8.5	36	23

