

Horizontal acting toggle clamps

Steel / Stainless Steel, with safety hook, with vertical mounting base

SPECIFICATION

Types

- Type **NL**: U-bar version, with two flanged washers
- Type **NLC**: U-bar version, with two flanged washers and GN 708.1 spindle assembly (see page 1625)
- Type **PL**: Solid bar version, with clasp

Version in Steel

- Case-hardened Steel C10, zinc plated, blue passivated
- Bearing pins tempered
- Bearing rivets (for size 355 and up), case-hardened

All moving parts

lubricated with special grease

Hand grip

High quality, oil resistant red plastic

Spindle assembly GN 708.1, Type A (see page 1625)

- Steel, zinc plated
- Rubber tip 85 Shore A

Version in Stainless Steel NI

Stainless Steel AISI 304

All moving parts

lubricated with special grease

Hand grip

High quality, oil resistant red plastic

Spindle assembly GN 708.1, Type A (see page 1625)

- Stainless Steel AISI 304
- Rubber tip 85 Shore A

TECHNICAL INFORMATION

- Stainless Steel characteristics (see page A26)

ACCESSORY

- Spindle assemblies (see page 1623)
- GN 801 clamp mounts for toggle clamps (for Type NL) (see page 1629)
- GN 809 clamp mounts for toggle clamps (for Type PL) (see page 1630)



INFORMATION

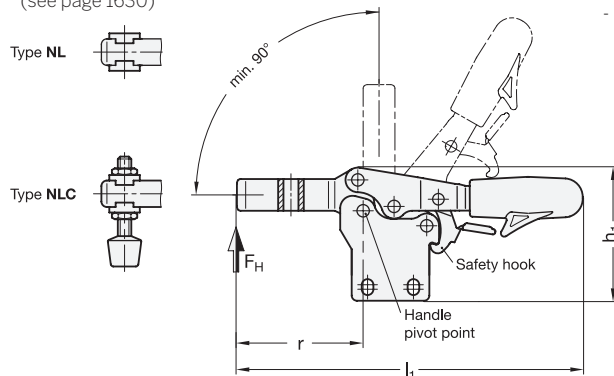
GN 820.4 horizontal acting toggle clamps have a safety function whereby, during closing, a spring loaded safety hook latch ensures a secure locking connection. It prevents the inadvertent unlocking of the clamp due to vibrations or an accidental attempt of loosening / opening of the clamp. To open and release the clamp, pull up on the finger grip to disengage the safety hook latch mechanism (one hand operation).

They work according to the toggle principle: lever and clamping bar move in the opposite direction. They require less space for the clamping action.

Horizontal acting toggle clamps in the U-bar version with two flanged washers (Type NL) can accommodate an application specific clamping screw. A spindle assembly with neoprene rubber tip is also included for Type NLC.

Type PL version can either be utilized by welding the clasp which can then accommodate an application specific hold-down fastener component, or by utilizing the bar in conjunction with the GN 809 (see page 1630) clamp mounts to hold the work piece in place.

- General information for toggle clamps (see page 1560)

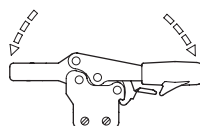


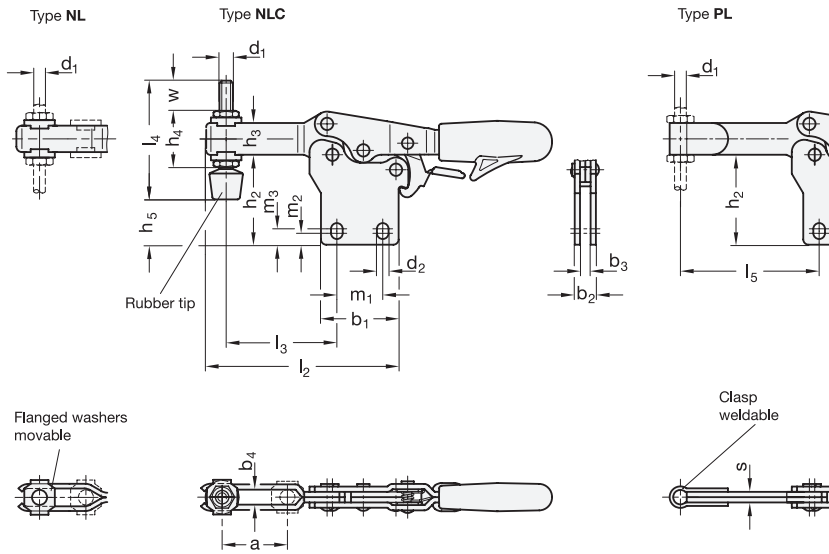
Type NL

Type NLC

Type PL

Operating principle





*Complete with type index of the horizontal acting toggle clamps

NL NLC PL

GN 820.4

Description	Size	FH	in	N	a ≈	b1	b2	b3	b4	d1	d2	h1 ≈	h2	h3	h4	h5 max.	l1 ≈	l2 ≈	l3 ≈	l4 max.	l5	m1	m2	m3	r ≈	s	w	⚖
GN 820.4-75-*	75	900	20	28	8	4	5.3	M5	4.5	45.5	29	11	19	14	118	68	40	49.5	45	13.5	3.5	5	43	4	15	90		
GN 820.4-130-*	130	1000	32	36	10	5	6.3	M6	5.6	64.5	44	16	25.5	27.5	172	92	53	64	55	26	5.8	8.8	62	5	17.5	200		
GN 820.4-230-*	230	1700	37	44	12	6	8.5	M8	6.6	75.5	51	18	30	27	196	109	63.5	78	68	26	6.5	9	73	6	20	320		
GN 820.4-355-*	355	1800	58	60	14	7	10.5	M10	8.6	102	69.5	22	37	43	270	161	96	115	77	41	7.5	9.6	110	7	19	730		
GN 820.4-455-*	455	3200	65	70	18	10	12.5	M12	8.7	120	80.5	26	43	48	306	186	116	135	100	41.5	11	12.5	128	10	33	1200		

GN 820.4-NI

STAINLESS STEEL

Description	Size	FH	in	N	a ≈	b1	b2	b3	b4	d1	d2	h1 ≈	h2	h3	h4	h5 max.	l1 ≈	l2 ≈	l3 ≈	l4 max.	l5	m1	m2	m3	r ≈	s	w	⚖
GN 820.4-75-*NI	75	900	20	28	8	4	5.3	M5	4.5	45.5	29	11	19	14	118	68	40	49.5	45	13.5	3.5	5	43	4	15	90		
GN 820.4-130-*NI	130	1000	32	36	10	5	6.3	M6	5.6	64.5	44	16	25.5	27.5	172	92	53	64	55	26	5.8	8.8	62	5	17.5	200		
GN 820.4-230-*NI	230	1700	37	44	12	6	8.5	M8	6.6	75.5	51	18	30	27	196	109	63.5	78	68	26	6.5	9	73	6	20	320		

Weight type NL

