

Column level indicators

with MIN level and MAX temperature electrical sensors, technopolymer

MATERIAL

Transparent polyamide based (PA-T) technopolymer. Highly resistant to shocks, solvents, oils with additives, aliphatic and aromatic hydrocarbons, petrol, naphtha, phosphoric esters. Avoid contact with alcohol or detergents containing alcohol.

SCREWS

Nickel-plated brass with hexagon socket.

PACKING RINGS

NBR synthetic rubber O-Ring.

FLOAT

Polyamide based (PA) technopolymer in red colour, with a built-in magnetic element to activate the electric contact when the oil level drops to the minimum set at 40mm over the screw axis (dimension I).

MIN LEVEL ELECTRICAL SENSOR

It generates an electric signal when the oil level reaches the minimum level.

The inside of the cavity where the sensor is contained is completely resinated in order to increase the thermal and electric insulation.

CONNECTOR

Right side output including protection against water sprays (protection class IP 65 according to EN 60529 on page A23).

MAX TEMPERATURE ELECTRICAL SENSOR (80°C)

It is set at a standard intervention temperature of 80°C, placed close to a metallic plate which serves as a conductor of the heat of the fluid for a faster transmission and a lower dissipation. The inside of the cavity where the sensor is contained is completely resinated in order to increase the thermal and electric insulation. For a correct assembly see Warnings (on page 1777).

CONTRAST SCREEN

White lacquered aluminium. The housing, in the appropriate external rear slot, guarantees the best protection from direct contact with fluid.

It can be taken out before assembly to allow the insertion of level lines or words.

SCREW-COVERS

Polyamide based technopolymer, grey colour.

STANDARD EXECUTIONS

- HCY-E-ST-NO: with electrical contact normally open.
- HCY-E-ST-NC: with electrical contact normally closed.

MAXIMUM CONTINUOUS WORKING TEMPERATURE

80°C (with oil).

TECHNICAL DATA

In laboratory tests carried out with mineral oil type CB68 (according to ISO 3498) at 23°C for a limited period of time, the weld stood up to: 14 bar (HCY.76), 9 bar (HCY.127) and 8 bar (HCY.254).

For use with other fluids and under different pressure and temperature conditions, please contact ELESA Technical Department.

In any case we suggest to verify the suitability of the product under the actual working conditions.

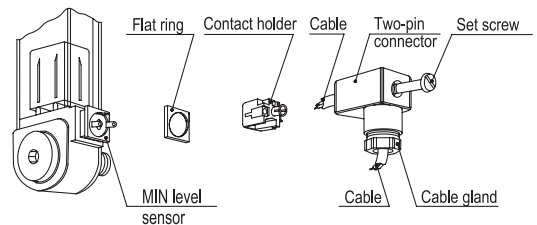


SPECIAL EXECUTIONS ON REQUEST

- Column level indicators in different materials (polycarbonate), for use with special fluids and/or at high temperatures.
- AISI 316 stainless steel or nickel-plated brass screws
- Column level indicators with change-over electrical contact.
- Execution with PT100 temperature electrical probe for connection to PLC.
- Electrical sensors set at the following temperatures: 50°, 60°, 70°C.

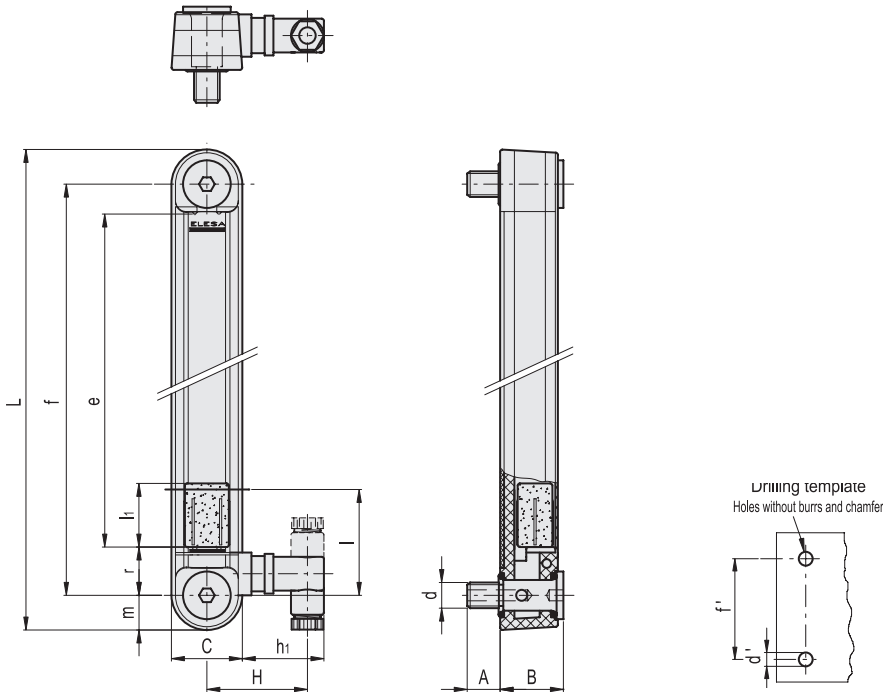
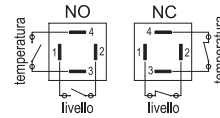
TWO-PIN CONNECTOR ASSEMBLY INSTRUCTIONS

1. Remove the connector from the indicator by unscrewing the set screw placed in the bottom, take the contact holder out and loosen the cable gland.
2. Slip on the two-pole cable into the connector (standard connector) and connect the wires to the terminals nr. 1 and nr. 2 of the contact holder.
3. Assemble by pressing the contact holder into the connector in the required position.
4. Screw the connectors to the indicator and then tighten the cable glands.



Electrical features	MIN level sensor
Tension feed	AC/DC
Electric contacts	NO normally open NC normally closed
Maximum applicable voltage	NO: 150 Vac, 150 Vdc NC: 230Vac, 230 Vdc
Maximum commutable opening capacity	NO: 1A NC: 2A
Maximum commutable power	NO: 20 W / 20 V.A. NC: 40 W / 40 V.A.
Cable gland	Pg 7 (for cables in sheath with Ø 6 or 7 mm)
Conductors cross-section	Max. 1.5 mm ²

Electrical features	MAX temperature sensor	
Tension feed	AC/DC	
Electric contacts	NO normally open NC normally closed	
Voltage / Maximum applicable voltage	250 Vac - 10 A	(resistive loads)
	60 Vdc - 3 A	
Cable gland	Pg 7 (for cables in sheath with Ø 6 or 7 mm)	
Conductors cross-section	Max. 1.5 mm ²	
Do not mount this indicator in proximity to magnetic fields.		



Code	Description	f	d	A	A1	B	C	H	L	e	h1	l	l1	m	r	d'-0.2	f'±0.2	C# [Nm]	⚖
111151	HCY.76-E-ST-NO-M12	76	M12	22	16	29	32	46	108	41	37	40	17	16	20	10.5	76	12	175
111152	HCY.76-E-ST-NC-M12	76	M12	22	16	29	32	46	108	41	37	40	17	16	20	10.5	76	12	175
111161	HCY.127-E-ST-NO-M12	127	M12	22	16	29	32	46	159	93	37	40	29	16	20	12.5	127	12	173
111162	HCY.127-E-ST-NC-M12	127	M12	22	16	29	32	46	159	93	37	40	29	16	20	12.5	127	12	173
111171	HCY.254-E-ST-NO-M12	254	M12	22	16	29	32	46	286	219	37	40	29	16	20	12.5	254	10	240
111172	HCY.254-E-ST-NC-M12	254	M12	22	16	29	32	46	286	219	37	40	29	16	20	12.5	254	10	240

Maximum tightening torque

