

Bull's Eye Spirit Levels

Housing Aluminum, Adjustable

SPECIFICATION

Sensitivity

- 30 Angle minutes, bubble move by 2 mm

Housing

Aluminum

- Anodized, natural color **ALN**
- Anodized, black **ALS**

Spirit level element

- Glass plastic body
- Filling
Colorless-transparent **K**

Casting compound

Mineral-based



INFORMATION

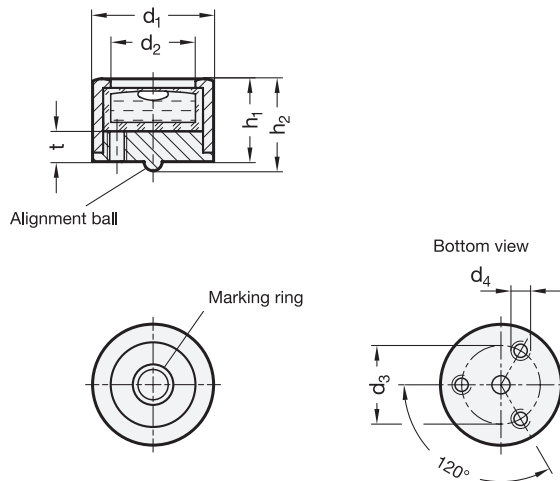
Bull's eye spirit levels GN 2280 are used to check the horizontal position of jigs, machines, devices, appliances and instruments. The mounting threads offset by 120° allow the spirit levels to be aligned in relation to the mounting surface. An alignment ball at the bottom surface of the adjustment plate serves as tilting point. Specific tightening torques of the bolts allow to be achieved, so that the bubble is located inside the marking ring once the horizontal alignment is reached.

ON REQUEST

- Filling, green-transparent
- Other sensitivities
- Housing in brass or stainless steel

TECHNICAL INFORMATION

- General Information on Bull's Eye, Screw-On and Cross Spirit Levels (see page 678)



GN 2280

Description	d1	d2	d3	d4	h1	h2	t	⚖
GN 2280-ALN-17-K-30	17	12	13.2	M 3	13	14.7	5	6
GN 2280-ALN-20-K-30	20	14	13	M 3	14.5	17	5	8
GN 2280-ALN-24-K-30	24	16	15	M 3	17	20	5	12
GN 2280-ALS-17-K-30	17	12	13.2	M 3	13	14.7	5	6
GN 2280-ALS-20-K-30	20	14	13	M 3	14.5	17	5	8
GN 2280-ALS-24-K-30	24	16	15	M 3	17	20	5	12

