

Retaining Washers

Stainless Steel

SPECIFICATION

Types

- Type **E**: with eyelet
- Type **L**: with mounting shackle

Stainless Steel **NI**

- Type **E**: metal injection, molded, AISI 316 LHC, ground
- Type **L**: sintered AISI 316 LHC, ground



INFORMATION

GN 2344 Stainless Steel-Retaining washers are universally usable standard parts.

Type **E** is suitable for use in connection with retaining cables and ball chains to mount other standard or securing parts in order to prevent loss.

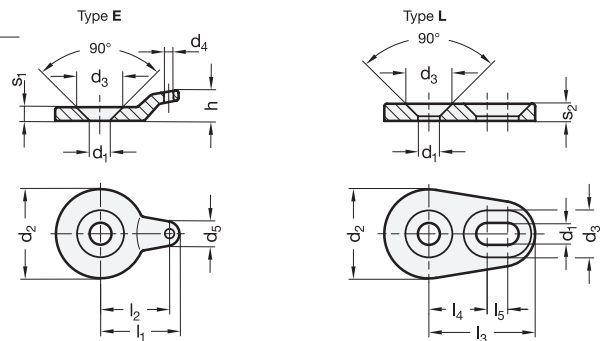
Type **L** is suitable, for example, for mounting bolts or axes, which can thereby simultaneously be secured in an axial and also in a radial position.

ACCESSORY

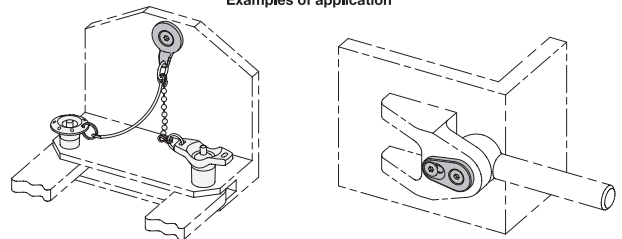
- Ball chains GN 111 (see page 904)
- Stainless Steel-Ball chains GN 111.5 (see page 905)
- Retaining cables GN 111.2 (see page 906)
- Spiral retaining cables GN 111.4 (see page 908)
- Key rings GN 111.3 (see page 903)

TECHNICAL INFORMATION

- Stainless Steel characteristics (see page A26)



Examples of application



GN 2344

STAINLESS STEEL

Description	d1	d2	d3	d4	d5	h	l1	l2	l3	l4	l5	s1	s2	Suitable key rings for type E	
GN 2344-NI-4,3-12-E	4.3	12	9.2	2.5	6	7	13.5	10.8	-	-	-	3	-	Ø14	2
GN 2344-NI-4,3-15-E	4.3	15	9.2	2.5	6.3	7	15	12.3	-	-	-	3	-	Ø14	4
GN 2344-NI-5,3-17-E	5.3	17	11.5	3	7.2	7	18.5	15	-	-	-	4	-	Ø14 Ø18	7
GN 2344-NI-5,3-22-E	5.3	22	11.5	3	7.5	9	21	17.5	-	-	-	4	-	Ø14 Ø18	12
GN 2344-NI-6,4-26-E	6.4	26	13.7	3.5	8.1	9	24	20.3	-	-	-	4	-	Ø14 Ø18 Ø24	15
GN 2344-NI-4,3-12-L	4.3	12	9.2	-	-	-	-	-	18	10	2	-	4	-	5
GN 2344-NI-4,3-15-L	4.3	15	9.2	-	-	-	-	-	21	11	4	-	4	-	7
GN 2344-NI-5,3-17-L	5.3	17	11.5	-	-	-	-	-	23	12	4	-	4.5	-	10
GN 2344-NI-5,3-22-L	5.3	22	11.5	-	-	-	-	-	28	15	6	-	4.5	-	16
GN 2344-NI-6,4-26-L	6.4	26	13.7	-	-	-	-	-	31	17	6	-	5	-	25

