

Tube Connectors

Aluminum

SPECIFICATION

Identification No.

No. **2**: With 2 stainless steel socket cap screws DIN 912

Aluminium

Powder coated

Black, RAL 9005, textured finish **SW**

Plain, Matte shot-blasted **BL**

Socket cap screw DIN 912

Stainless steel AISI 304

Hexagon nuts DIN 985

Stainless steel AISI 304

Self-locking via polyamide ring



INFORMATION

The clamping bores of GN 242 tube connector joints are mechanically machined and designed for construction tubes GN 990 (see page 1902) or DIN 2391, DIN 2395 and DIN 2462.

At the screw locations **z** the socket cap screws reduce the bore cross-section for clamping.

For clamping without tools, the socket cap screws can be replaced by the adjustable hand levers GN 911 (see page 1874) listed in the table as accessories.

ACCESSORY

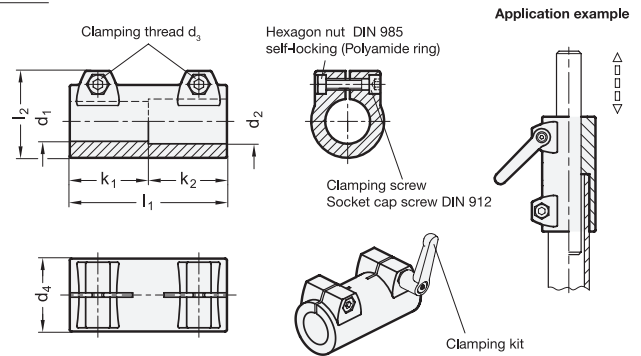
- Adjustable Hand Levers GN 911 (see page 1874)

ON REQUEST

- d₁ / d₂ with different bores

TECHNICAL INFORMATION

- Stainless Steel Characteristics (see page A26)



* Complete with colour index of the Tube connector joints (SW or BL)

SW
RAL9005

BL
blank

GN 242

Description	d1 Bore	d2 Bore	d3	k1 Clamping length	k2 Clamping length	l1	l2	z Screw locations	Accessory Recom. hand lever GN 911 for z 13	⚖️
GN 242-B20-B20-2-*	B 20	B 20	40	45	45	90	52	M8-25	-	277
GN 242-B20-B25-2-*	B 20	B 25	40	45	45	90	52	M8-25	-	253
GN 242-B25-B25-2-*	B 25	B 25	40	45	45	90	52	M8-25	63 78	238
GN 242-B25-B30-2-*	B 25	B 30	40	45	45	90	52	M8-25	63 78	217
GN 242-B30-B30-2-*	B 30	B 30	40	45	45	90	52	M8-25	63 78	181
GN 242-B40-B40-2-*	B 40	B 40	65	70	70	140	77.5	M10-50	-	916
GN 242-B40-B50-2-*	B 40	B 50	65	70	70	140	77.5	M10-50	-	797
GN 242-B42-B42-2-*	B 42	B 42	65	70	70	140	77.5	M10-50	-	884
GN 242-B45-B45-2-*	B 45	B 45	65	70	70	140	77.5	M10-50	78 92	808
GN 242-B48-B48-2-*	B 48	B 48	65	70	70	140	77.5	M10-50	78 92	730
GN 242-B50-B50-2-*	B 50	B 50	65	70	70	140	77.5	M10-50	78 92	677

Weight BL