

## Tubular Handles

Tube Aluminum, Legs Zinc Die Casting

### SPECIFICATION

#### Types

- Type **A**: Mounting from the back (threaded blind bore)
- Type **B**: Mounting from the operator's side (only for  $d_1=28$ )

#### Handle tube

Aluminum, wall thickness 1.5 mm

- Powder coated  
Black RAL 9005, textured finish **SW**  
Handle legs black
- Anodized, natural color **EL**  
Handle legs black
- Anodized, natural color **ES**  
Handle legs silver

#### Handle legs

Zinc die casting

Powder coated, textured finish

- Black, RAL 9005 for SW / EL
- Silver, RAL 9006 for ES

#### Cover

Plastic, light gray

#### Fastening set for type B

- Socket button head screws ISO 7380-M6-20  
Steel, zinc plated
  - Black passivated for SW / EL
  - Blue passivated for ES
- Hex nuts ISO 4032-M6  
Steel, zinc plated, blue passivated
- Washers DIN 125  
Steel, zinc plated, blue passivated



### INFORMATION

The handle tube of the GN 333.1 tubular handles can be screwed to the handle bases without further machining or processing, allowing **special lengths** to be realised easily.

Further handle legs can be added for very long tubular handles. Individual handle legs for tubular handles  $\varnothing 28$  (type A) are available under GN 333.9 (see page 501).

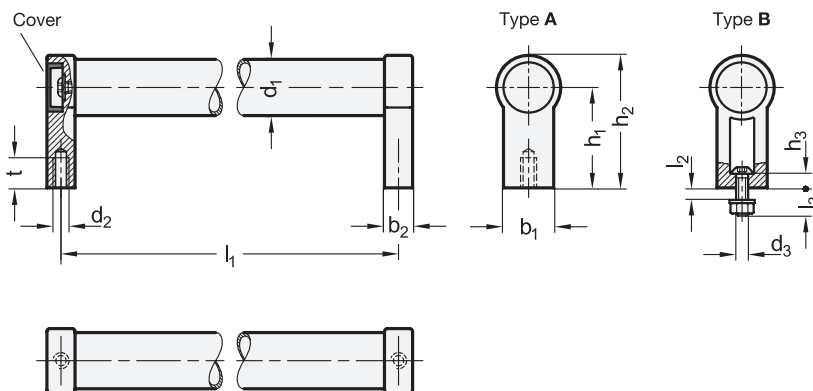
For type B, socket button head screws, hex nuts and washers are included parts of the order.

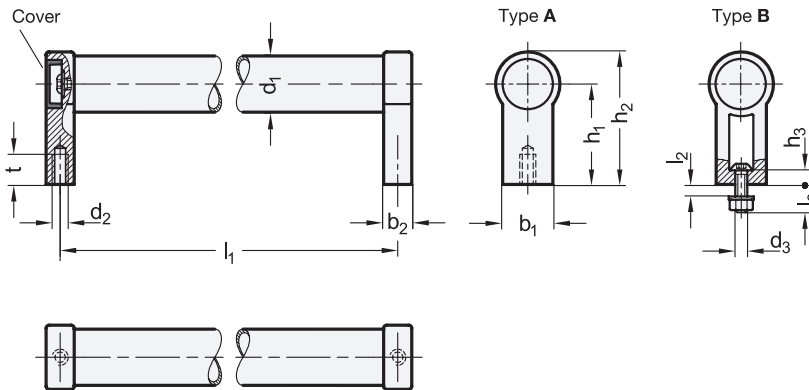
### ACCESSORY

- GN 333.9 Handle Legs (for Tubes  $\varnothing 28$ , Angled) (see page 501)

### TECHNICAL INFORMATION

- Load Rating Information (see page A35)





\* Complete with

SW EL ES  
 RAL9005 Anodized, natural color Anodized, natural color

**GN 333.1-A**

Description	d1	l1	d2	b1	b2	h1	h2	t min.	⚖
GN 333.1-20-180-A-*	20	180	M 6	24	12	42	54	12	190
GN 333.1-20-200-A-*	20	200	M 6	24	12	42	54	12	200
GN 333.1-20-250-A-*	20	250	M 6	24	12	42	54	12	208
GN 333.1-20-300-A-*	20	300	M 6	24	12	42	54	12	230
GN 333.1-20-350-A-*	20	350	M 6	24	12	42	54	12	245
GN 333.1-20-400-A-*	20	400	M 6	24	12	42	54	12	290
GN 333.1-28-200-A-*	28	200	M 8	25	14	50	66	15	340
GN 333.1-28-250-A-*	28	250	M 8	25	14	50	66	15	360
GN 333.1-28-300-A-*	28	300	M 8	25	14	50	66	15	390
GN 333.1-28-350-A-*	28	350	M 8	25	14	50	66	15	417
GN 333.1-28-400-A-*	28	400	M 8	25	14	50	66	15	440
GN 333.1-28-500-A-*	28	500	M 8	25	14	50	66	15	480
GN 333.1-28-600-A-*	28	600	M 8	25	14	50	66	15	500
GN 333.1-30-200-A-*	30	200	M 8	27	17	51	68	15	320
GN 333.1-30-300-A-*	30	300	M 8	27	17	51	68	15	374
GN 333.1-30-350-A-*	30	350	M 8	27	17	51	68	15	405
GN 333.1-30-400-A-*	30	400	M 8	27	17	51	68	15	440
GN 333.1-30-500-A-*	30	500	M 8	27	17	51	68	15	500
GN 333.1-30-600-A-*	30	600	M 8	27	17	51	68	15	570
GN 333.1-30-1000-A-*	30	1000	M 8	27	17	51	68	15	800

**GN 333.1-B**

Description	d1	l1	d3	b1	b2	h1	h2	h3	l2 max.	l3	⚖
GN 333.1-28-200-B-*	28	200	M 6	25	14	50	66	7	6	13	300
GN 333.1-28-250-B-*	28	250	M 6	25	14	50	66	7	6	13	320
GN 333.1-28-300-B-*	28	300	M 6	25	14	50	66	7	6	13	360
GN 333.1-28-350-B-*	28	350	M 6	25	14	50	66	7	6	13	380
GN 333.1-28-400-B-*	28	400	M 6	25	14	50	66	7	6	13	440
GN 333.1-28-500-B-*	28	500	M 6	25	14	50	66	7	6	13	470
GN 333.1-28-600-B-*	28	600	M 6	25	14	50	66	7	6	13	500

Weight SW

