

## Star Knobs

Stainless Steel

### SPECIFICATION

**Version with female thread:**

#### Types

- Type **A**: without bore
- Type **E**: with threaded blind bore
- Type **D**: with threaded through bore
- Type **C**: with plain blind bore H7

Stainless Steel AISI 303

- matt shot-blasted
- highly polished PL (only type D and E)

**Version with threaded bolt:**

Stainless Steel AISI 303

- matt shot-blasted

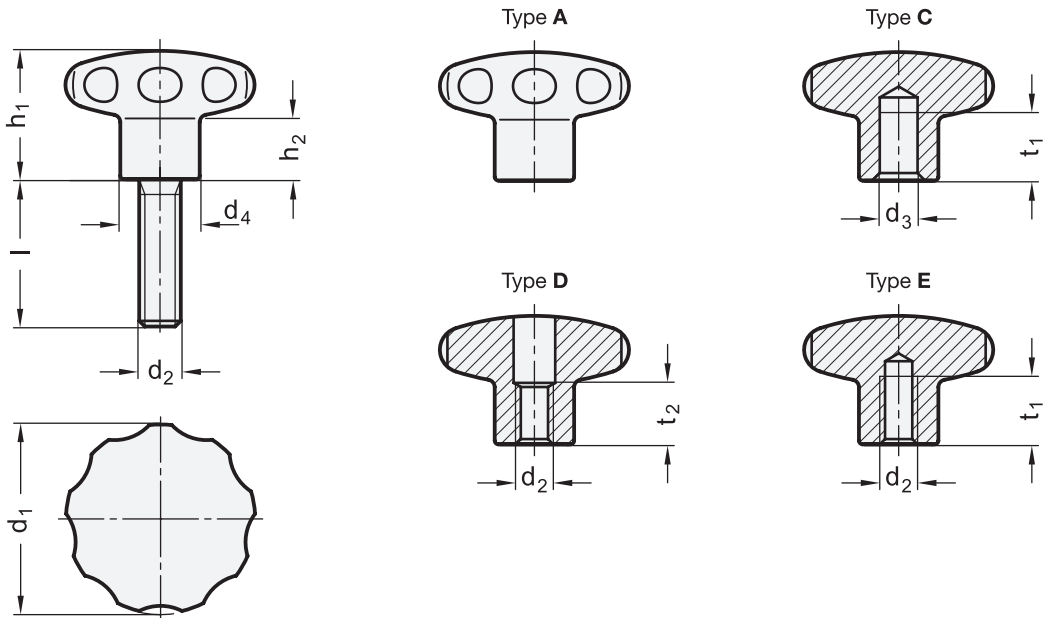


### INFORMATION

Stainless Steel-Star knobs GN 5335 are a special development intended for the food processing machinery industry. The smooth and enclosed areas as well as the large corner radii comply with the requirements of hygiene standards.

### TECHNICAL INFORMATION

- Cross holes GN 110 (see page A17)
- ISO-Fundamental Tolerances (see page A21)
- Stainless Steel characteristics (see page A26)





## GN 5335-with female thread

STAINLESS STEEL

Description	d1	d2	d3 H7	d4	h1	h2	t1 min.	t2	⚖
GN 5335-40-A	40	-	-	18	30.5	15	-	-	130
GN 5335-50-A	50	-	-	21	34	17	-	-	220
GN 5335-60-A	60	-	-	25	39	18	-	-	388
GN 5335-40-B8-C	40	-	B 8	18	30.5	15	15	-	125
GN 5335-50-B10-C	50	-	B 10	21	34	17	18	-	205
GN 5335-60-B12-C	60	-	B 12	25	39	18	22	-	366
GN 5335-40-M6-D	40	M 6	-	18	30.5	15	-	13	132
GN 5335-40-M8-D	40	M 8	-	18	30.5	15	-	13	130
GN 5335-50-M8-D	50	M 8	-	21	34	17	-	16	225
GN 5335-50-M10-D	50	M 10	-	21	34	17	-	16	205
GN 5335-60-M10-D	60	M 10	-	25	39	18	-	20	370
GN 5335-60-M12-D	60	M 12	-	25	39	18	-	20	366
GN 5335-40-M6-E	40	M 6	-	18	30.5	15	12	-	140
GN 5335-40-M8-E	40	M 8	-	18	30.5	15	15	-	135
GN 5335-50-M8-E	50	M 8	-	21	34	17	15	-	240
GN 5335-50-M10-E	50	M 10	-	21	34	17	18	-	208
GN 5335-60-M10-E	60	M 10	-	25	39	18	18	-	391
GN 5335-60-M12-E	60	M 12	-	25	39	18	22	-	389
GN 5335-40-M6-D-PL	40	M 6	-	18	30.5	15	-	13	132
GN 5335-40-M8-D-PL	40	M 8	-	18	30.5	15	-	13	130
GN 5335-50-M8-D-PL	50	M 8	-	21	34	17	-	16	225
GN 5335-50-M10-D-PL	50	M 10	-	21	34	17	-	16	205
GN 5335-60-M10-D-PL	60	M 10	-	25	39	18	-	20	370
GN 5335-60-M12-D-PL	60	M 12	-	25	39	18	-	20	366
GN 5335-40-M6-E-PL	40	M 6	-	18	30.5	15	12	-	140
GN 5335-40-M8-E-PL	40	M 8	-	18	30.5	15	15	-	140
GN 5335-50-M8-E-PL	50	M 8	-	21	34	17	15	-	240
GN 5335-50-M10-E-PL	50	M 10	-	21	34	17	18	-	240
GN 5335-60-M10-E-PL	60	M 10	-	25	39	18	18	-	391
GN 5335-60-M12-E-PL	60	M 12	-	25	39	18	22	-	400

## GN 5335-with threaded bolt

STAINLESS STEEL

Description	d1	d2	l	d4	h1	h2	⚖
GN 5335-40-M8-16	40	M 8	16	18	30.5	15	140
GN 5335-40-M8-20	40	M 8	20	18	30.5	15	151
GN 5335-40-M8-25	40	M 8	25	18	30.5	15	180
GN 5335-50-M10-20	50	M 10	20	21	34	17	245
GN 5335-50-M10-25	50	M 10	25	21	34	17	247
GN 5335-50-M10-30	50	M 10	30	21	34	17	260
GN 5335-60-M12-25	60	M 12	25	25	39	18	420
GN 5335-60-M12-30	60	M 12	30	25	39	18	426
GN 5335-60-M12-40	60	M 12	40	25	39	18	441