

Breather caps

Technopolymer, high filtration, with valve and splash guard

COVER

Polyamide-based (PA) technopolymer, black colour RAL 9005, matte finish, laser engraved graphic symbols.

THREADED FITTING

Polyamide-based (PA) technopolymer, with splash guard and hexagon nut, black colour, semi-matte finish.

PACKING RING

NBR synthetic rubber flat washer.

OVERPRESSURE VALVE

Technopolymer with NBR synthetic rubber O-ring
Stainless steel spring, set at around 0.350 bar or 0.700 bar.

AIR FILTER

Polyester with a filtration rate of $3\mu\text{m}$ (efficiency > 98%).

STANDARD EXECUTIONS

- **SFV-AF-350MB**: valve opens when pressure exceeds 0.350 bar (set at 350 mb).
- **SFV-AF-700MB**: valve opens when pressure exceeds 0.700 bar (set at 700 mb).

MAXIMUM CONTINUOUS WORKING TEMPERATURE

100°C.

FEATURES

SFV-AF (registered design) breather caps are suitable for all applications (gearmotors, variators or compressors) in which the internal pressure of the tank must not exceed a certain value (350 or 700 mb).

In these cases, the safety valve of the cap allows the expulsion of the exceeding air in the reservoir, thus re-establishing the pressure values for which the valve is set.

Valve (closed in normal pressure conditions) prevents dust from getting in and oil-losses.

SFV-AF breather caps are made with a special internal geometry which stops the leakage of the fluid to the outside, even in the most critical cases of strong fluid projections.

The hexagon on the threaded fitting makes it possible to apply, using a wrench, a greater tightening torque on the cap, ensuring better compression of the gasket.

TECHNICAL DATA

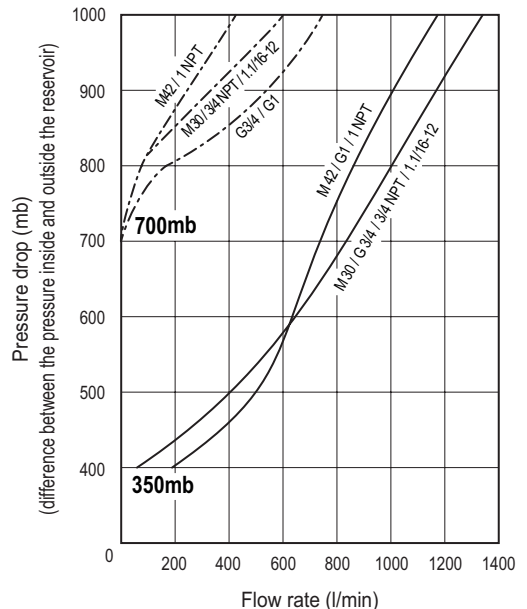
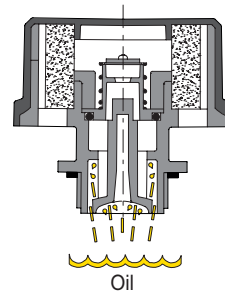
Air flow rate for the different executions of breather caps can be obtained from the diagram on the basis of the difference of air pressure inside and outside the reservoir.

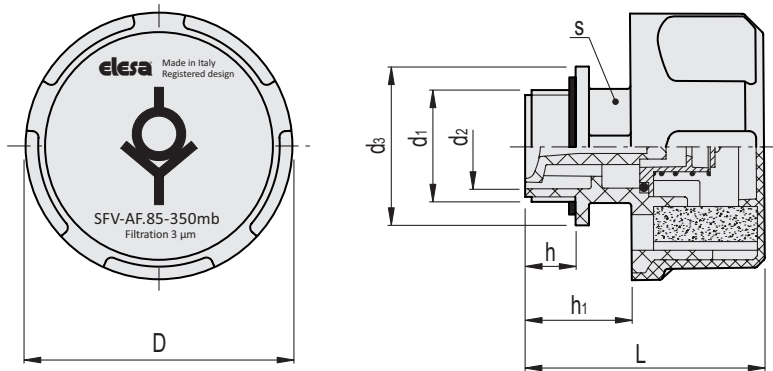
SPECIAL EXECUTIONS ON REQUEST

- Black cover without graphic symbol.
- Orange cover.
- Orange cover without graphic symbol.
- Yellow cover.
- Yellow cover without graphic symbol.



ELESA Original design





SFV-AF-350MB

Code	Description	D	L	d ₁	d ₂	d ₃	h	h ₁	s	⚖
52920-C9	SFV-AF.85-M30x1.5+FC3-350MB-C9	85	73	M30x1.5	23	38	16	30.5	28	135
52922-C9	SFV-AF.85-M42x2+FC3-350MB-C9	85	76	M42x2	33	50	16.5	34	36	144
52924-C9	SFV-AF.85-G3/4+FC3-350MB-C9	85	73	G 3/4	20.5	35	16	30.5	28	134
52926-C9	SFV-AF.85-G1+FC3-350MB-C9	85	73	G 1	25	40	16	30.5	28	137
952924-C9	SFV-AF.85-3/4 NPT+FC3-350MB-C9	85	73	3/4 NPT	20.5	36	16.5	30.5	28	134
952926-C9	SFV-AF.85-1 NPT+FC3-350MB-C9	85	77	1 NPT	27	41	19	34.5	34	137
952928-C9	SFV-AF.85-1.1/16-12 SAE+FC3-350MB-C9	85	73	1.1/16-12 UNF	20.5	35	16	30.5	28	134

SFV-AF-700MB

Code	Description	D	L	d ₁	d ₂	d ₃	h	h ₁	s	⚖
52921-C9	SFV-AF.85-M30x1.5+FC3-700MB-C9	85	73	M30x1.5	23	38	16	30.5	28	136
52923-C9	SFV-AF.85-M42x2+FC3-700MB-C9	85	76	M42x2	33	50	16.5	34	36	145
52925-C9	SFV-AF.85-G3/4+FC3-700MB-C9	85	73	G 3/4	20.5	35	16	30.5	28	135
52927-C9	SFV-AF.85-G1+FC3-700MB-C9	85	73	G 1	25	40	16	30.5	28	138
952925-C9	SFV-AF.85-3/4 NPT+FC3-700MB-C9	85	73	3/4 NPT	20.5	36	16.5	30.5	28	135
952927-C9	SFV-AF.85-1 NPT+FC3-700MB-C9	85	77	1 NPT	27	41	19	34.5	34	138
952929-C9	SFV-AF.85-1.1/16-12 SAE+FC3-700MB-C9	85	73	1.1/16-12 UNF	20.5	35	16	30.5	28	135

