

No-slip disks

Experience over the years has shown how the No-slip disk is an important but also critical component of the levelling element. The increasingly greater use of the No-slip disk to give the base more stability and adherence to the ground has shown that the disk may detach while the machinery is being moved due to accidental impacts or because the disk adheres to the floor.

After in-depth studies and numerous tests in our laboratories, it was decided to produce a version of the base to which a No-slip disk is already mounted, thus guaranteeing maximum safety for the applications in which the disk is used. In fact, the base is fitted to the No-slip disk along the entire external section and in the central part of the disk.

Tests have shown that this solution has led to a ten-fold increase in base detachment resistance in case of side impacts (Fig. 1) and a four-fold increase in the axial slippage resistance if the No-slip disk adheres to the floor (Fig. 2).

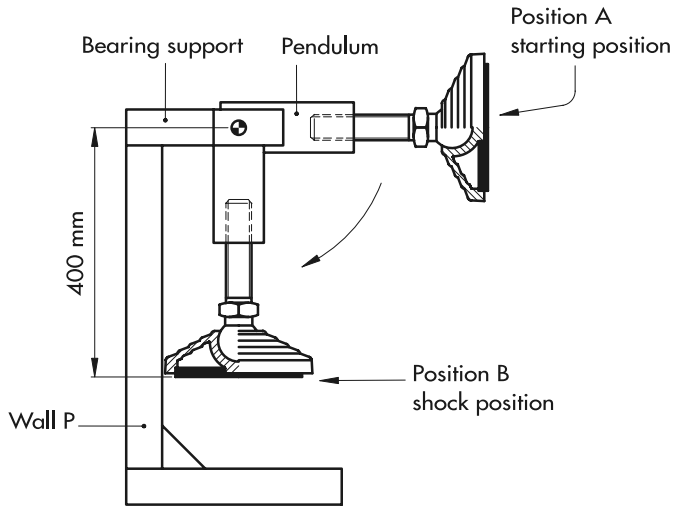


Fig. 1

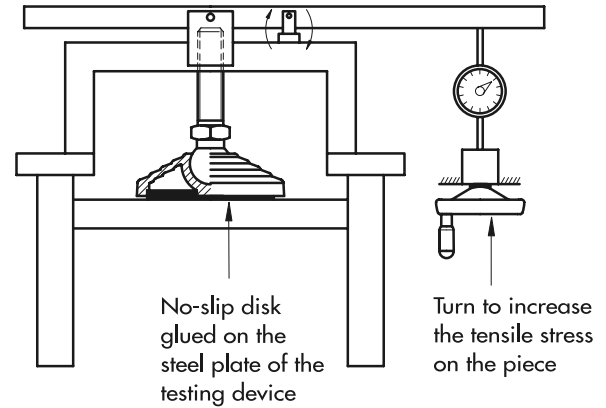


Fig. 2